



Commercial status

To be discontinued on: 31 December 2022

To be end-of-service on: 31 December 2030

⚠ To be discontinued

Main

Range of product	Modicon Quantum automation platform
Product or component type	Dc discrete input modules
Discrete input number	16

Complementary

Group of channels	8
Logic input	Positive (sink)
Input voltage limits	10...60 V
Input voltage	12 V 5...10 mA DC 24 V 6...30 mA DC 48 V 2...15 mA DC 60 V 1...5 mA DC
Voltage state 1 guaranteed	11...24 V 24 V +/- 20 % 34...48 V 48 V +/- 20 % 45...60 V 60 V +/- 20 % 9...12 V 12 V +/- 5 %
Voltage state 0 guaranteed	0...1.8 V 12 V +/- 5 % 0...10 V 48 V +/- 20 % 0...5 V 24 V +/- 20 % 0...9 V 60 V +/- 20 %
Absolute maximum voltage	75 V
Addressing requirement	1 input word
Response time	4 ms from state 0 to state 1 4 ms from state 1 to state 0
Switching frequency	<= 100 Hz
Isolation between group and bus	2500 Vrms DC for 1 minute
Isolation between group	700 Vrms DC for 1 minute
Power dissipation	1 W + (0.62 x number of points on)
Marking	CE

Disclaimer: This documentation is not intended as a substitute for and is not to be used for determining suitability or reliability of these products for specific user applications

Local signalling	for bus communication is present (Active) 1 LED (green) for external fault detected (F) 1 LED (red) for input status 16 LEDs (green)
Bus current requirement	200 mA
Module format	Standard
Net Weight	0.66 lb(US) (0.3 kg)

Environment

Standards	UL 508 CSA C22.2 No 142
Product certifications	FM Class 1 Division 2 C-tick
Resistance to electrostatic discharge	4 kV contact IEC 801-2 8 kV on air IEC 801-2
Resistance to electromagnetic fields	9.14 V/m (10 V/m) 80...2000 MHz IEC 801-3
Ambient air temperature for operation	32...140 °F (0...60 °C)
Ambient air temperature for storage	-40...185 °F (-40...85 °C)
Relative humidity	95 % without condensation
Operating altitude	<= 16404.2 ft (5000 m)

Ordering and shipping details

Category	18155 - QUANTUM I/O & POWER SUPPLIES
Discount Schedule	PC21
GTIN	00785901793830
Nbr. of units in pkg.	1
Package weight(Lbs)	0.94 lb(US) (0.43 kg)
Returnability	Yes
Country of origin	CN

Packing Units

Unit Type of Package 1	PCE
Package 1 Height	0.98 in (2.5 cm)
Package 1 width	3.15 in (8 cm)
Package 1 Length	3.94 in (10 cm)
Unit Type of Package 2	S03
Number of Units in Package 2	7
Package 2 Weight	8.27 lb(US) (3.749 kg)
Package 2 Height	11.81 in (30 cm)
Package 2 width	11.81 in (30 cm)
Package 2 Length	15.75 in (40 cm)

Offer Sustainability

Sustainable offer status	Green Premium product
California proposition 65	WARNING: This product can expose you to chemicals including: Lead and lead compounds, which is known to the State of California to cause cancer and birth defects or other reproductive harm. For more information go to www.P65Warnings.ca.gov
REACH Regulation	REACH Declaration
REACH free of SVHC	Yes
EU RoHS Directive	Pro-active compliance (Product out of EU RoHS legal scope) EU RoHS Declaration
Mercury free	Yes
RoHS exemption information	Yes
China RoHS Regulation	China RoHS declaration
Environmental Disclosure	Product Environmental Profile

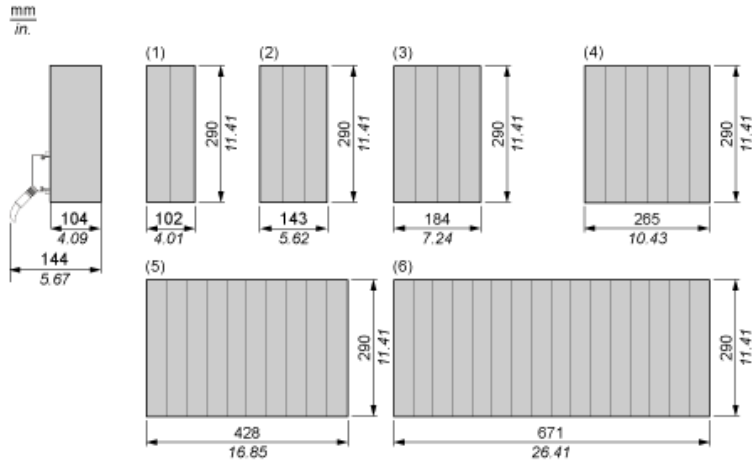
Circularity Profile	End of Life Information
WEEE	The product must be disposed on European Union markets following specific waste collection and never end up in rubbish bins.

Contractual warranty

Warranty	18 months
----------	-----------

Racks for Modules Mounting

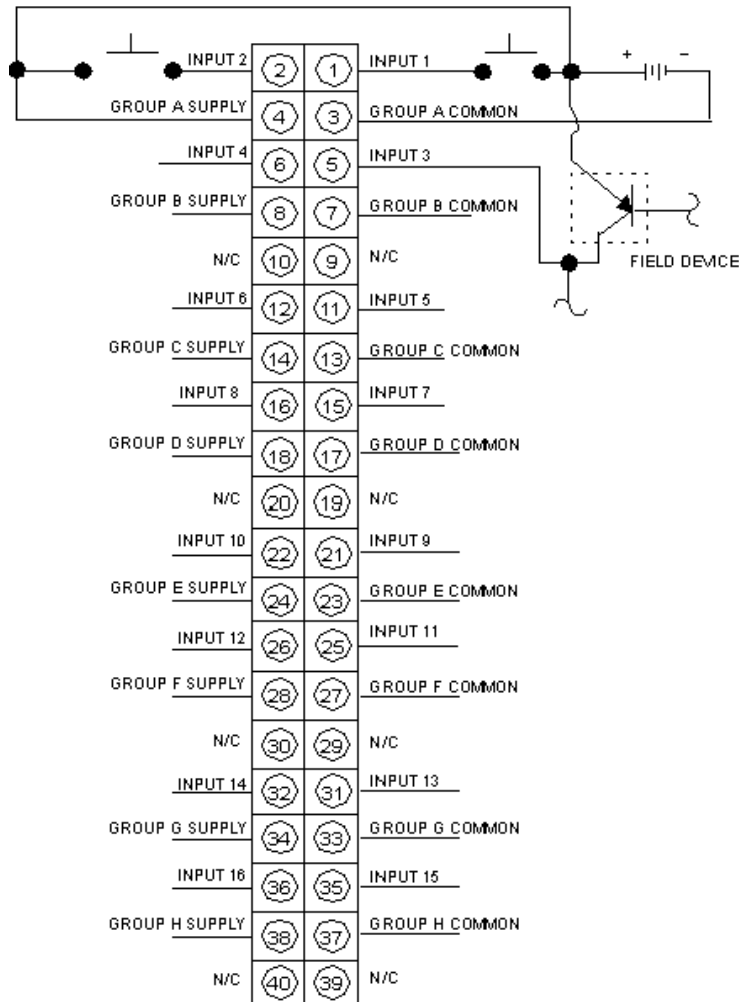
Dimensions of Modules and Racks



- (1) 2 slots
- (2) 3 slots
- (3) 4 slots
- (4) 6 slots
- (5) 10 slots
- (6) 16 slots

60 Vdc Discrete Input Sink Module

Wiring Diagram



N/C Not Connected

140DDI84100 may be replaced by any of the following products:



I/O modules BMXDDI1603

discrete input module X80 - 16 inputs - 48 V DC positive

Qty 1

Linking to group 2



I/O modules BMXDDI1602

Discrete input module, M340, 16 Inputs, 24 VDC sink

Qty 1

Linking to group 1
